

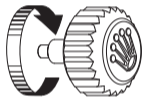
OYSTER PERPETUAL  
MILGAUSS



ROLEX

## WEARING THE WATCH FOR THE FIRST TIME

Before being worn for the first time, or if it has stopped, a Rolex watch must be wound manually in order to function correctly and precisely. To wind the watch manually, unscrew the winding crown completely, then turn it several times clockwise. (Turning in the other direction has no effect.) A minimum of 25 turns is required for adequate partial winding. The watch will then be wound automatically as long as it is worn on the wrist. Carefully screw the crown back down against the case to ensure waterproofness.



The green seal accompanying your Rolex watch is a symbol of its status as a Superlative Chronometer. This exclusive designation attests that it has successfully undergone a series of specific final controls by Rolex in its own laboratories in addition to the official COSC certification of its movement. This unique testing of its chronometric precision, waterproofness, self-winding and reliability pushes back the boundaries of performance and makes Rolex the benchmark for excellence in mechanical watches. For further information, please visit [rolex.com](https://www.rolex.com).



---

## THE HEART OF THE MILGAUSS MODEL

HONOURING SCIENCE 4-7

---

## USING YOUR WATCH

OVERVIEW 8-9

SETTING THE OYSTER PERPETUAL MILGAUSS 10-11

EASYLINK COMFORT EXTENSION LINK 12-13

---

## ROLEX SERVICE

CARING FOR YOUR ROLEX 14-15

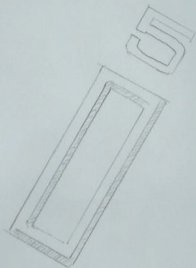
AFTER-SALES SERVICE 16-17

WORLDWIDE SERVICE NETWORK 18

---

## ROLEX.COM

60



**ROLEX**  
**OYSTER PERPETUAL**  
**MILGAUSS**



---

## HONOURING SCIENCE

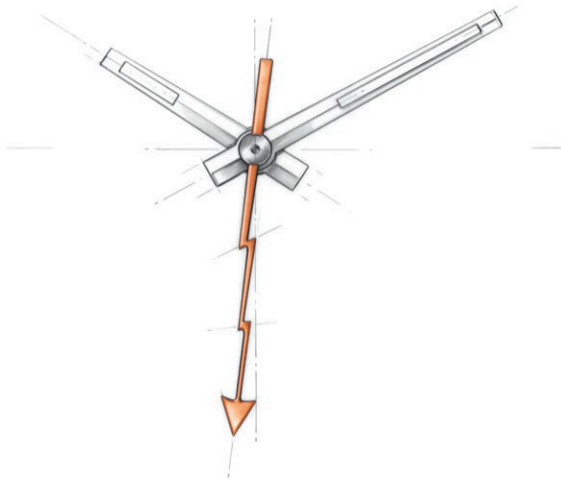
The Oyster Perpetual Milgauss, the watch par excellence of technological and scientific progress, reconciles strong magnetic fields and chronometric precision.

It was created in 1956 for engineers and technicians who are exposed in their work to magnetic fields which disrupt the performance of mechanical watches. The Oyster Perpetual Milgauss was designed to resist strong interference of up to 1,000 gauss, hence its name, while maintaining exceptional chronometric performance.

Aesthetically, the Oyster Perpetual Milgauss stands out with its orange seconds hand shaped like a lightning bolt, which was inspired by the original model. Its 40 mm Oyster case, waterproof to a depth of 100 metres (330 feet), is a paragon of robustness and elegance. Its dial offers exceptional legibility thanks to the Chromalight hour markers and hands filled with a luminescent material emitting a long-lasting blue glow. Its sapphire crystal is virtually scratchproof.

The Oyster Perpetual Milgauss is equipped with a self-winding mechanical movement entirely manufactured by Rolex.

It features an Oyster bracelet with an Oysterclasp and the Easylink comfort extension link.





## OVERVIEW

- 1 Hour hand
- 2 Minute hand
- 3 Seconds hand
- 4 Twinlock winding crown



## SETTING THE OYSTER PERPETUAL MILGAUSS

### **Screwed-down position (*position 0*):**

the crown is completely screwed down against the case. When the crown is in this position, the Oyster Perpetual Milgauss is guaranteed waterproof to a depth of 100 metres (330 feet).

### **Manual winding (*position 1*):**

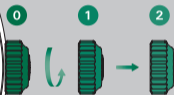
the crown is unscrewed. To wind the watch manually, turn the crown clockwise; turning in the other direction has no effect. When setting the watch for the first time or after the watch has stopped, complete a minimum of 25 turns for partial winding.

### **Setting the time (*position 2*):**

the crown is unscrewed and pulled out to the first notch. The seconds hand is stopped, allowing you to set the time to the precise second. To set the hour and minute, turn the crown in either direction.

## Initial winding and setting

- A. Wind the watch manually (*position 1*).
- B. Set the time (*position 2*).

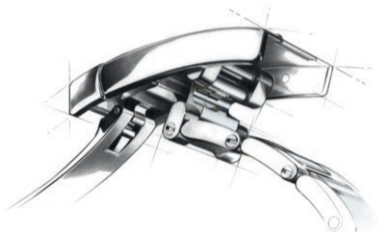


*Unscrew and then pull out*

To screw the crown back down against the case, return it to *position 1* and apply light pressure on it while screwing it down clockwise against the case.

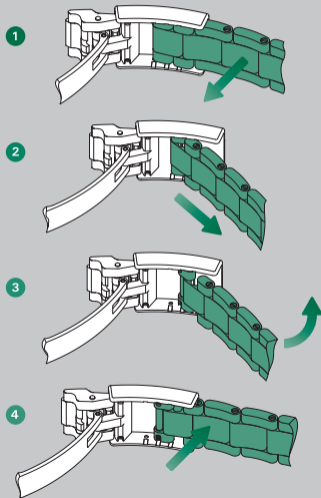
After every use, carefully screw the crown back down against the case to guarantee the waterproofness. The crown should never be unscrewed under water.

## EASYLINK COMFORT EXTENSION LINK

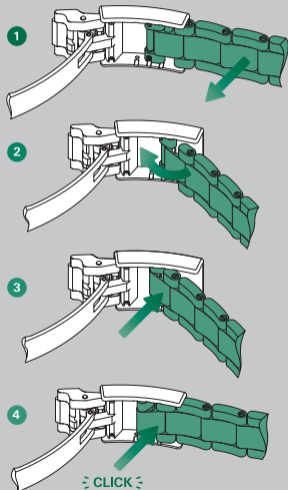


To ensure optimal comfort when wearing your watch in any circumstances, Rolex created the Easylink comfort extension link, which is available on some models. Its exclusive design, which was patented, allows you to adjust the length of your bracelet by 5 mm, without the need for tools.

## Adjusting from the short position to the long position



## Adjusting from the long position to the short position



## CARING FOR YOUR ROLEX

Thanks to Rolex expertise, your watch will require very little day-to-day care.

You can help preserve its lustre by cleaning it occasionally with a microfibre cloth. You can also wash the case and bracelet from time to time using soapy water and a soft brush. After wearing your watch in the sea, it is important to rinse it with fresh water to remove any salt and sand deposits.

Before cleaning your watch, always ensure that the crown is screwed down properly against the case to guarantee waterproofness.



## AFTER-SALES SERVICE

Rolex watch servicing ensures that your timepiece will continue to perform optimally and meet Rolex's stringent requirements of precision, reliability and waterproofness throughout its life.

The timekeeping accuracy of your watch is largely dependent on high-performance lubricants specially developed by Rolex to minimise friction and prevent wear of components. To guarantee continued accuracy and waterproofness, Rolex recommends that you periodically return your watch to an Official Rolex Retailer or Service Centre for professional servicing.

When your watch is serviced by a Rolex watchmaker, the watch is completely dismantled and all of its components are ultrasonically cleaned. Each individual component is closely examined and those that no longer meet Rolex's functional and aesthetic specifications are replaced with genuine Rolex parts. The movement is carefully lubricated then electronically tested to guarantee its timing accuracy; the case and the metal bracelet are meticulously refinished to restore their lustre. Your Rolex then undergoes a series of rigorous technical tests and checks

to guarantee its waterproofness, power reserve and precision.

After a complete Rolex service, your watch is covered by a service guarantee.

## WORLDWIDE SERVICE NETWORK

The network of Official Rolex Retailers and Service Centres covers more than 100 countries around the world and draws on the expertise of highly skilled watchmakers, carefully selected and trained by Rolex.

Official Rolex Retailers can advise you on all the technical aspects of your watch's functions. Whether your bracelet needs sizing or it is time for a complete service, highly qualified Rolex watchmakers are on hand worldwide to meet all of your service needs.

For a list of Official Rolex Retailers and Service Centres, please visit: [rolex.com](https://www.rolex.com).

## ROLEX.COM

We invite you to visit **rolex.com**,  
a privileged place to learn more about  
the functions of your Rolex watch  
and about the quality, know-how and  
fundamental values of the brand.

Welcome to the world of Rolex.

Rolex reserves the right to modify the models illustrated in this booklet at any time.

© Rolex SA, 3-5-7, rue François-Dussaud, 1211 Geneva 26, Switzerland  
601.12 Eng - 9.2019 - Printed in Switzerland

[rolex.com](https://www.rolex.com)

